
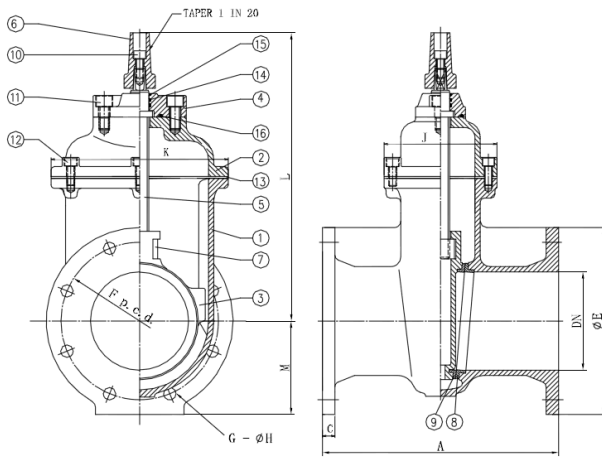


Description	<p>Duvalco metal seated gate valves are designed to the requirements of BS 5163:1986 Type B for underground or above ground use with operation by means of handwheel, T-key, ring key and bar. They can also be supplied for use with gearboxes and actuators of various types according to requirement.</p>																			
Size Range	DN50 to DN1200																			
Pressure Rating	<p>All valves are rated at PN16 for 16 bar continuous working pressure. When fitted with lower rated flanges, the overall pressure rating is according to the rating of the flange. (<i>*Other ratings available upon request</i>)</p>																			
Design Standard	BS 5163:1986 Type B / BS 5163:2004 => Pls choose																			
Materials of Construction	<table border="1"> <thead> <tr> <th>Description</th> <th>Material</th> <th>Grade</th> </tr> </thead> <tbody> <tr> <td>Body</td> <td>Ductile iron</td> <td>BS EN 1563 Grade EN-GJS-500-7* * =</td> </tr> <tr> <td>Wedge</td> <td>Ductile iron</td> <td>BS EN 1563 Grade EN-GJS-500-7* GGG50</td> </tr> <tr> <td>Stem</td> <td>Stainless Steel</td> <td>2Cr13</td> </tr> <tr> <td>Seating</td> <td>Gunmetal</td> <td>BS 1400 LG2</td> </tr> <tr> <td>Fasteners</td> <td>Zinc Plated Steel</td> <td>BS 4168 PT1 Grade 8.8</td> </tr> </tbody> </table>		Description	Material	Grade	Body	Ductile iron	BS EN 1563 Grade EN-GJS-500-7* * =	Wedge	Ductile iron	BS EN 1563 Grade EN-GJS-500-7* GGG50	Stem	Stainless Steel	2Cr13	Seating	Gunmetal	BS 1400 LG2	Fasteners	Zinc Plated Steel	BS 4168 PT1 Grade 8.8
Description	Material	Grade																		
Body	Ductile iron	BS EN 1563 Grade EN-GJS-500-7* * =																		
Wedge	Ductile iron	BS EN 1563 Grade EN-GJS-500-7* GGG50																		
Stem	Stainless Steel	2Cr13																		
Seating	Gunmetal	BS 1400 LG2																		
Fasteners	Zinc Plated Steel	BS 4168 PT1 Grade 8.8																		
Testing	<p>All valves are works tested to the following pressures:-</p> <table border="1"> <thead> <tr> <th>Description</th> <th>Nominal Pressure</th> <th>Hydraulic Test Pressure</th> </tr> </thead> <tbody> <tr> <td>Body</td> <td>16 bar</td> <td>24 bar</td> </tr> <tr> <td>Seat</td> <td>16 bar</td> <td>17.6 bar</td> </tr> </tbody> </table>		Description	Nominal Pressure	Hydraulic Test Pressure	Body	16 bar	24 bar	Seat	16 bar	17.6 bar									
Description	Nominal Pressure	Hydraulic Test Pressure																		
Body	16 bar	24 bar																		
Seat	16 bar	17.6 bar																		
Direction to close	Clockwise (CTC)																			
Actuator Requirement	<p>The gearbox spindle for hand wheel / tee key or for connecting with the extension spindle shall be vertical when the valve is installed. Gate valves shall be manually operated.</p>																			
Marking	<p>All valves are marked with the following information:-</p> <ul style="list-style-type: none"> - Size of valve - PN rating - 'Duvalco' - Material - SG / GGG50 - BS 5163 Type B - Year of manufacture 																			
Packing	<p>All valves will be dispatched properly packed, with all items separated to avoid damage to coating, castings, facings, flange faces, etc.</p>																			

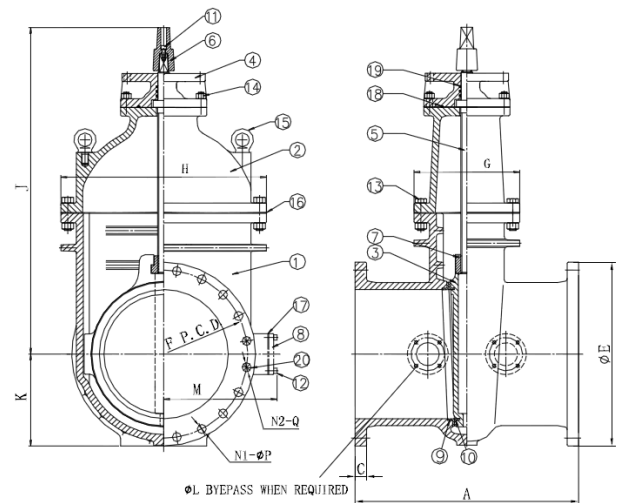
Corrosion Protection

- 1) All body components are painted with high quality 2-pack epoxy paint system having a minimum of 200µm DFT.
- 2) For potable water applications, paints used have a WRAS or similar water quality approval.
- 3) Coating colour – RAL 5005

Dimensional Details



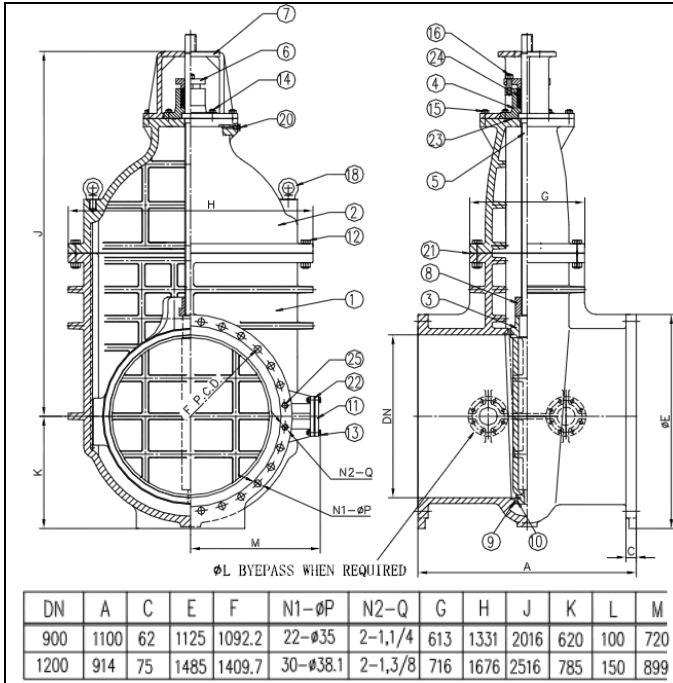
DN	A	C	E	F	G - φH	J	K	L	M
50	250	19	165	114.3	4-φ17.5	91	109	261	82.5
80	280	19	200	146	4-φ17.5	112	160	315	100
100	300	19	220	177.8	8-φ17.5	121	184	350	110
150	350	19	285	235	8-φ22.2	172	277	448	142.5
200	400	20	340	292.1	8-φ22.2	215	339	553	170
250	450	21	400	355.6	12-φ22.2	247	407	644	200
300	500	24.5	455	406.4	12-φ25.4	280	468	725	227.5



DN	A	C	E	F	N1-φP	N2-Q	G	H	J	K	L	M
350	550	36	520	469.9	12-φ25.4	-	328	610	972	260	-	-
400	600	36	580	520.7	12-φ25.4	-	332	662	1051	290	-	-
450	650	39	640	584.2	14-φ25.4	2-7/8	368	716	1136	320	80	400
500	700	41	715	641.4	14-φ25.4	2-7/8	372	776	1226	357.5	80	430
600	800	47	840	755.7	14-φ31.8	2-1,1/8	428	908	1393	420	80	495

DATA SHEET

METAL SEATED GATE VALVE



DN	A	C	E	F	N1-ØP	N2-Q	G	H	J	K	L	M
900	1100	62	1125	1092.2	22-Ø35	2-1,1/4	613	1331	2016	620	100	720
1200	914	75	1485	1409.7	30-Ø38.1	2-1,3/8	716	1676	2516	785	150	899

Face-to-face length

Overall length is shown as standard for this range as ISO 5752 Series 15 (DIN F5), though Series 3 (BS 5163) can also be supplied.

Flange Drilling

Flanges for pipe connection are compatible with flanges to EN 1092-2 up to PN16.

Alternatively, flanges to other standards, including BS10 Table E can be supplied.

*** Note:**

Please refer to General Arrangement drawing for full details of valves