
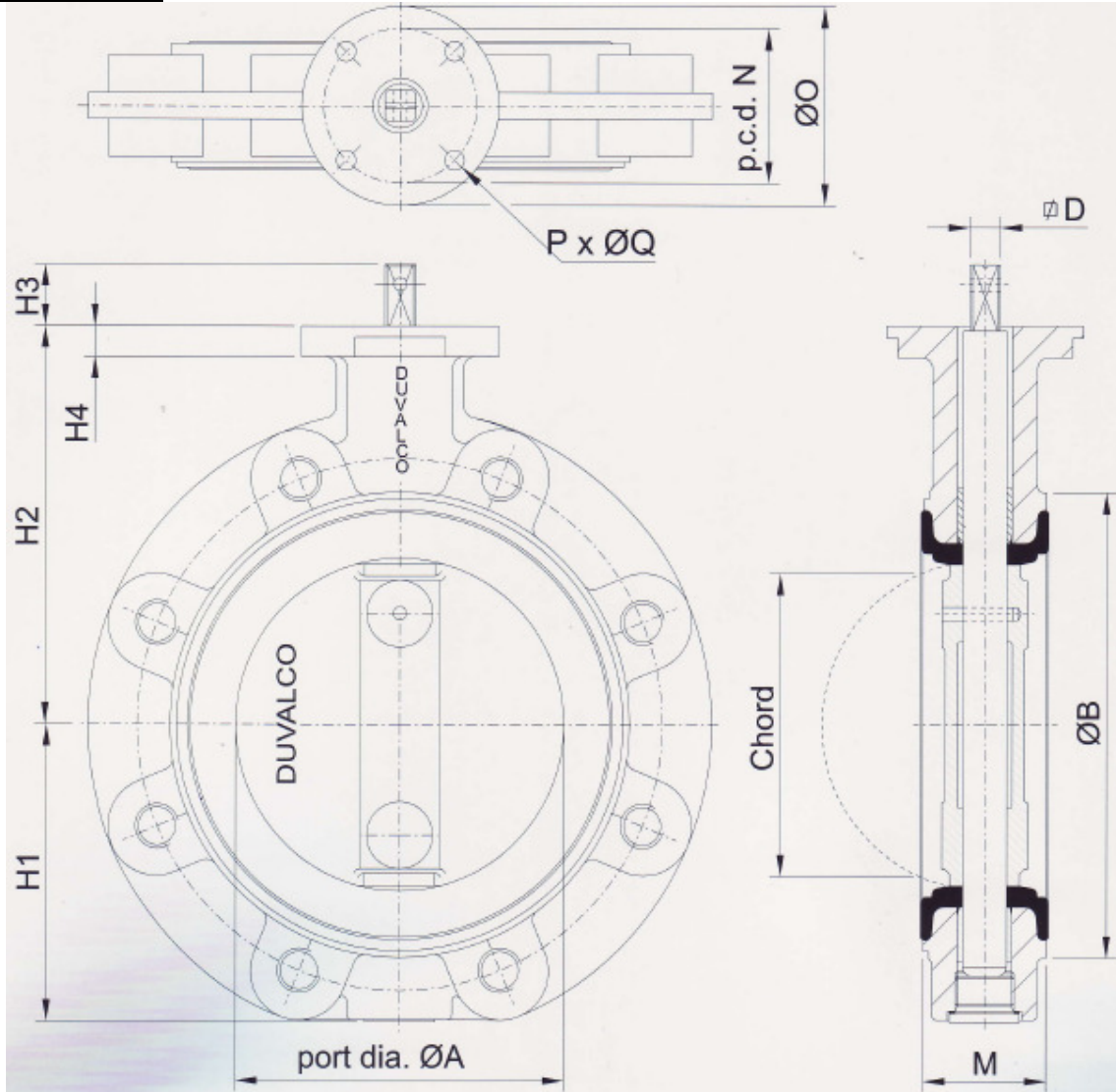


Description	<p>Duvalco LT Full Lug Butterfly Valves are of the concentric type with vulcanised rubber liner for minimum operating loads and reduced wear and tear on the various components, designed to meet EN 593. Body construction is from ductile iron with disc available in ductile iron, stainless steel 304 or 316, shafts in 420, 431, 304 or 316 Stainless Steel. Aluminium bronze discs also available.</p> 																	
Size Range	DN50 to DN1200																	
Pressure Rating	All valves are rated at PN16 for 16 bar continuous working pressure <i>(Other pressures also available upon request)</i>																	
Design Standard	BS EN 593																	
Materials of Construction	<table border="1" data-bbox="423 978 1484 1318"> <thead> <tr> <th>Description</th> <th>Material</th> <th>Grade</th> </tr> </thead> <tbody> <tr> <td>Body</td> <td>Ductile iron</td> <td>BS EN 1563 Grade EN-GJS-400-15</td> </tr> <tr> <td>Disc</td> <td>Ductile Iron + Rilsan Coated</td> <td>BS EN 1563 Grade EN-GJS-400-15</td> </tr> <tr> <td>Shaft</td> <td>Stainless steel</td> <td>BS EN 10088-3 1.4005 (316) (Size below 400mm) BS EN 10088-3 1.4034 (420) (Size after 450mm)</td> </tr> <tr> <td>Liner</td> <td>EPDM</td> <td>BS EN 681-1 Type WA</td> </tr> </tbody> </table> <p><i>* Other types of materials are also available upon request</i></p>			Description	Material	Grade	Body	Ductile iron	BS EN 1563 Grade EN-GJS-400-15	Disc	Ductile Iron + Rilsan Coated	BS EN 1563 Grade EN-GJS-400-15	Shaft	Stainless steel	BS EN 10088-3 1.4005 (316) (Size below 400mm) BS EN 10088-3 1.4034 (420) (Size after 450mm)	Liner	EPDM	BS EN 681-1 Type WA
Description	Material	Grade																
Body	Ductile iron	BS EN 1563 Grade EN-GJS-400-15																
Disc	Ductile Iron + Rilsan Coated	BS EN 1563 Grade EN-GJS-400-15																
Shaft	Stainless steel	BS EN 10088-3 1.4005 (316) (Size below 400mm) BS EN 10088-3 1.4034 (420) (Size after 450mm)																
Liner	EPDM	BS EN 681-1 Type WA																
Testing	<p>PN16 pressure rating valves are tested to the following pressures:-</p> <table border="1" data-bbox="402 1451 1370 1566"> <thead> <tr> <th>Description</th> <th>Nominal Pressure</th> <th>Hydraulic Test Pressure</th> </tr> </thead> <tbody> <tr> <td>Body</td> <td>16 bar</td> <td>24 bar</td> </tr> <tr> <td>Seat</td> <td>16 bar</td> <td>17.6 bar</td> </tr> </tbody> </table>			Description	Nominal Pressure	Hydraulic Test Pressure	Body	16 bar	24 bar	Seat	16 bar	17.6 bar						
Description	Nominal Pressure	Hydraulic Test Pressure																
Body	16 bar	24 bar																
Seat	16 bar	17.6 bar																
Direction to close	Clockwise To Close (CTC)																	
Corrosion Protection	<ol style="list-style-type: none"> 1) The external surfaces of the valve body and the disc will be coated with spray applied liquid 2-pack epoxy paint system - primer plus 2 finish coats. 2) Epoxy coating is WRAS listed for potable water applications and meets the requirements of BS 6920 for water quality testing. 3) Coating colour - blue to RAL 5005 																	

DATA SHEET

LT FULL LUG BUTTERFLY VALVE

Dimensional Details

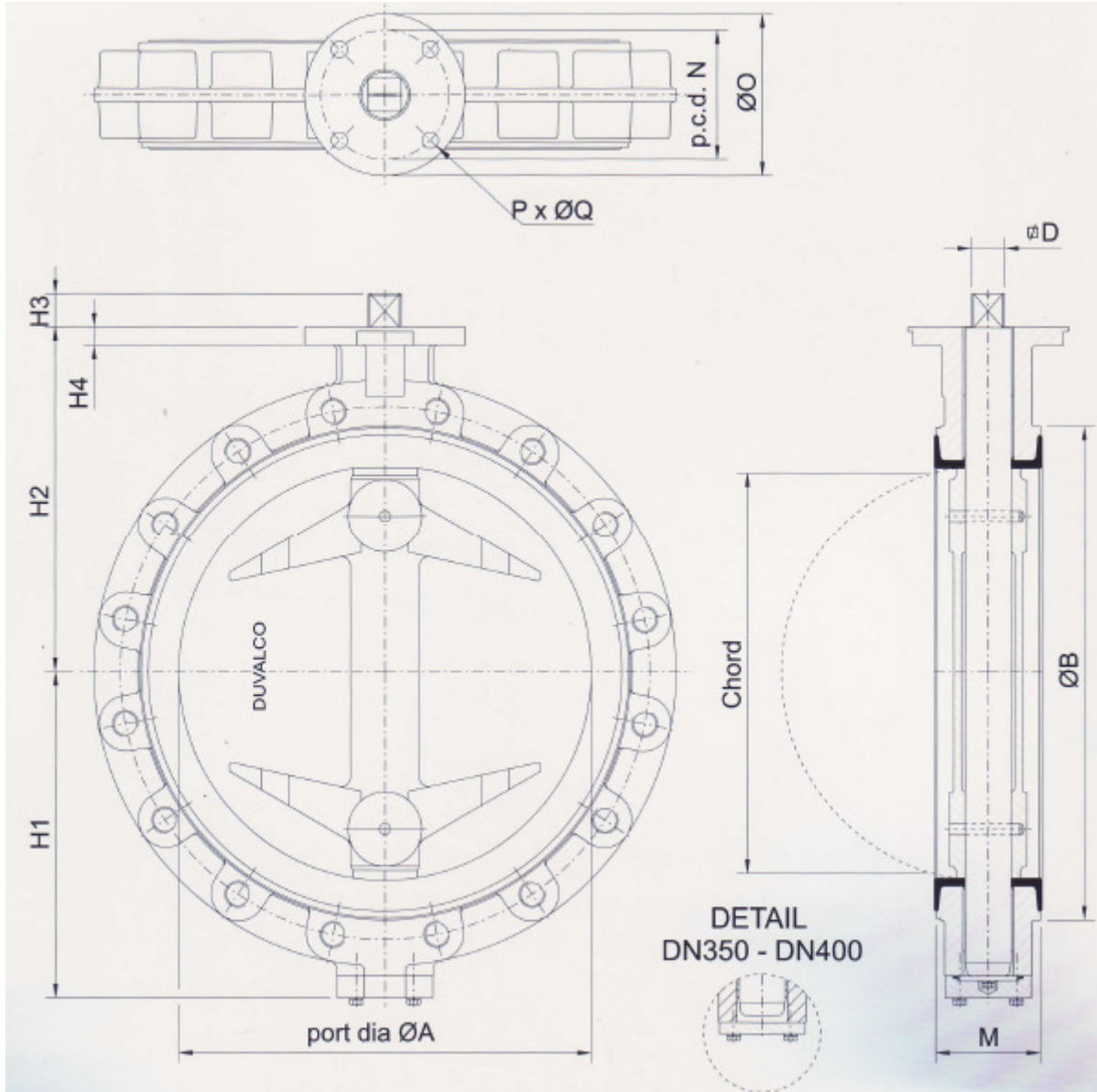


Nominal Size	ØA	ØB	ØD	H1	H2	H3	H4	M	N	ØO	P	ØQ	Chord	Weight Kg
50	50	90	11	67	118	25	12	43	70	90	4	9	26	4.0
65	65	105	11	74	126	25	12	46	70	90	4	9	46	5.0
80	80	124	11	82	133	25	14	46	70	90	4	9	65	6.0
100	100	150	11	100	147	25	14	52	70	90	4	9	85	8.5
125	125	182	14	112	160	28	14	56	70	90	4	9	112	11
150	150	210	14	134	180	28	14	56	70	90	4	9	139	15
200	200	265	17	159	204	28	14	60	70	90	4	9	191	20
250	250	315	22	195	245	30	15	68	102	125	4	11	241	33
300	300	371	22	220	270	30	15	78	102	125	4	11	290	48

All dimensions are in mm.

DATA SHEET

LT FULL LUG BUTTERFLY VALVE



Nominal Size	$\varnothing A$	$\varnothing B$	$\varnothing D$	H1	H2	H3	H4	M	N	$\varnothing O$	P	$\varnothing Q$	Chord	Weight Kg
350	335	434	27	282	315	29	20	78	125	150	4	14	325	64
400	400	488	27	307	350	29	20	102	125	150	4	14	386	110
450	450	536	36	352	375	38	20	114	140	175	4	18	434	120
500	500	590	36	387	415	38	20	127	140	175	4	18	483	167
600	600	685	46	452	465	48	25	154	165	210	4	22	579	247

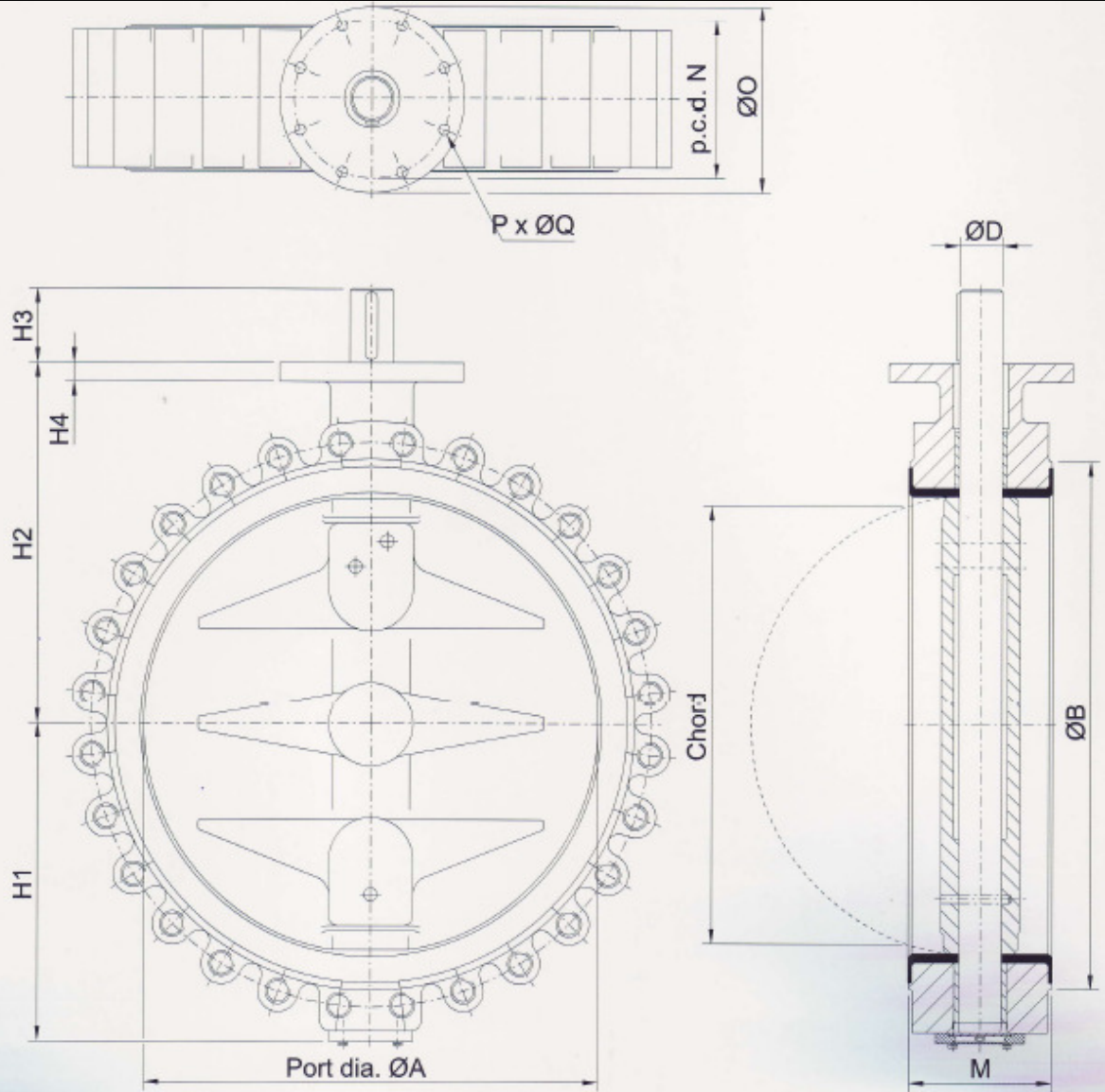
All dimensions are in mm.



Dutch Valve Company

DATA SHEET

LT FULL LUG BUTTERFLY VALVE



Nominal Size	$\varnothing A$	$\varnothing B$	$\varnothing D$	Key No-size	H1	H2	H3	H4	M	N	$\varnothing O$	P	$\varnothing Q$	Chord	Weight Kg
550	535	635	70	1-20x12x100	410	480	110	25	154	165	210	4	22	512	270
650	640	745	70	1-20x12x100	460	530	110	30	229	165	210	4	22	597	470
700	690	805	80	1-22x14x110	505	555	120	25	229	165	210	4	22	650	630
750	740	860	90	1-25x14x110	540	585	120	30	229	254	300	8	18	703	675
800	790	900	100	1-28x16x110	575	615	120	30	241	254	300	8	18	752	720
900	890	1010	110	2-32x18x140	645	675	160	30	241	254	300	8	18	856	1005
1000	985	1120	120	2-32x18x140	695	750	160	30	300	254	300	8	18	938	1265
1100	1085	1220	125	2-32x18x140	790	850	160	40	300	298	350	8	22	1043	1385
1200	1185	1325	130	2-32x18x140	805	875	160	40	350	298	350	8	22	1132	1570



DATA SHEET
LT FULL LUG BUTTERFLY VALVE

Valve Dimensions for PN16 Double Flange Valves

Face-to-face length

Type LT Full Lug Butterfly valves meet the requirements of BS EN 558 /ISO 5752 Basic Series 20.

PN10 also available as standard, plus BS 10 Table E

Full range of sizes DN50 to DN1200 also available.

Marking	<p>All valves are marked with the following information:-</p> <ul style="list-style-type: none"> - Size - PN rating - 'Duvalco' - Material - SG GGG50 - EN 593 - Year of manufacture
Packing	<p>All valves will be despatched properly packed, with all items separated to avoid damage to coating, castings, facings, flange faces, etc.</p>