

4

3

2

1

D

D

C

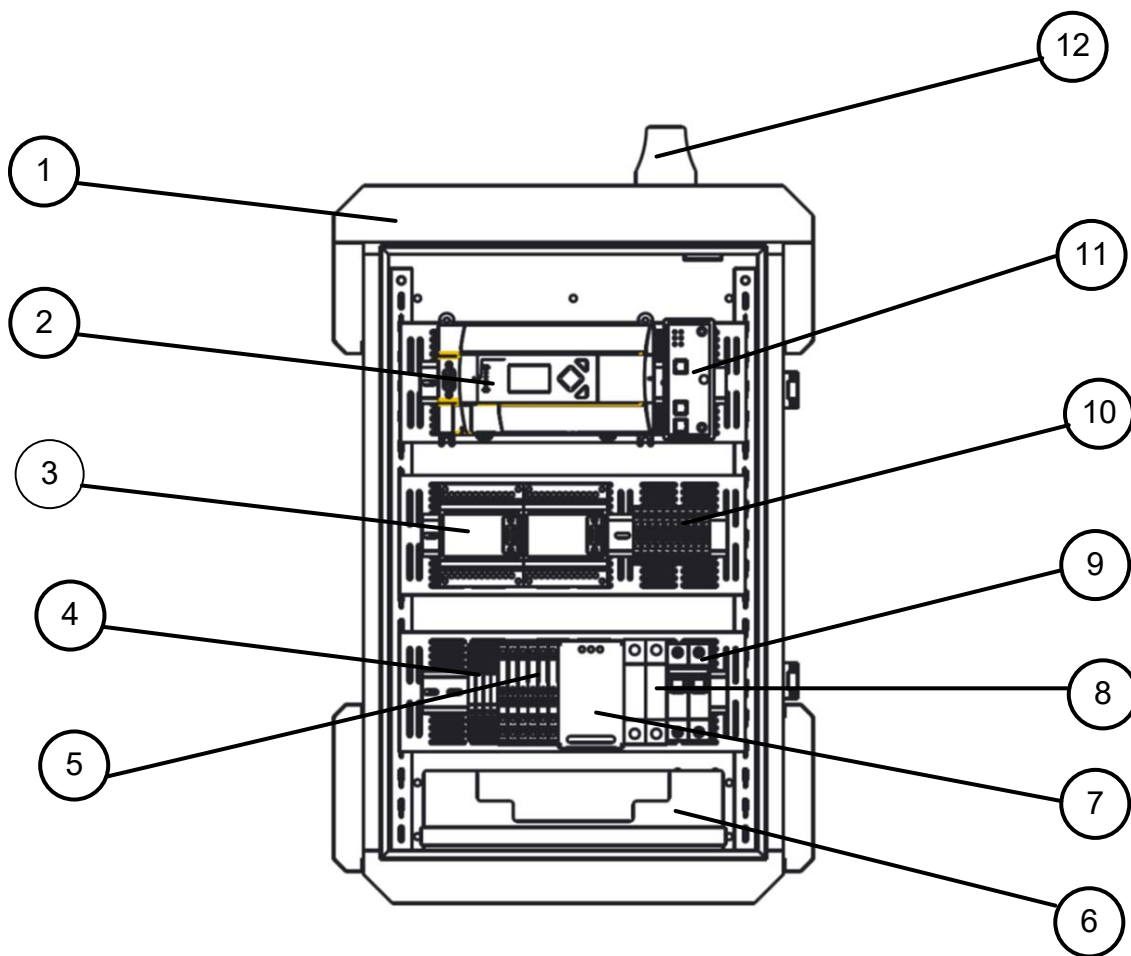
C

B

B

A

A



Item	Equiment	Qty	Note
1	Enclosure, 304SS, coated	1	400x600x210 mm
2	Programable Logic Controller	1	1K ROM, 128K logging memory, 4xAI, 20xDI, 12xDO, 2x AO, 24VDC
3	MBUS Level Converter	1	30 meter per unit, maximum 4 units per panel
4	Control relays	6	24VDC, 5A, non-latch
5	Fused terminal blocks	6	6A, 2A
6	Li-thium battery pack 30Ah	1	20
7	UPS charger	1	90~264VAC input, 100W capacity
8	Surger arrester	2	230V, 80kA
9	Miniture circuit breaker	2	
10	Wiring terminal blocks	8	
11	GPRS/3G modem	1	I/O, LAN, RS-232, SIM Connection, 1 x RS-232, 2 x LAN, 2 x SIM, 3 x I/O ports 150Mbit/s
12	Antenna	1	



Gflow Instruments Co. Ltd.

Wing Tat Commercial Build Fl 3 Unit E8
Wing Lok Street, Sheung Wan
Hong Kong

Designed by

Signature

Approved by

Signature

Name

ARM Panel System Arrangement

Description

Mains powered AMR meter reading panel with UPS back system

Size

A

FSCM NO.

Drawing NO.

Rev.

0

Scale

1:1

Sheet

1 of 2

4

3

2

1

4

3

2

1

D

D

C

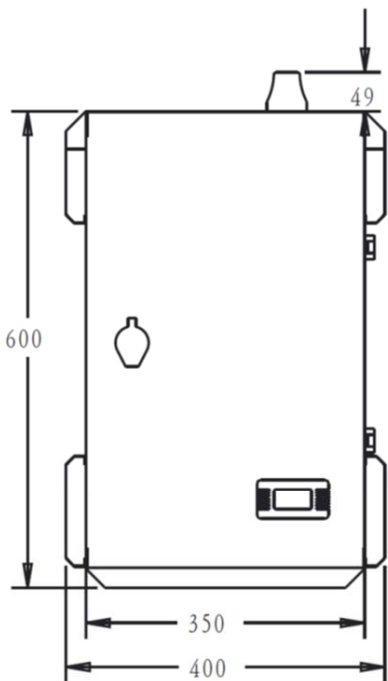
C


B

B

A

A



 Gflow Instruments Co. Ltd. Wing Tat Commercial Build Fl 3 Unit E8 Wing Lok Street, Sheung Wan Hong Kong		Name			
		ARM Panel System Dimensional Diagram			
Designed by Signature		Description			
		Mains powered AMR meter reading panel with UPS back system for HKWSD			
Approved by Signature		Size	FSCM NO.	Drawing NO.	Rev.
		A			0
		Scale	1:1	Sheet	2 of 2

4

3

2

1