
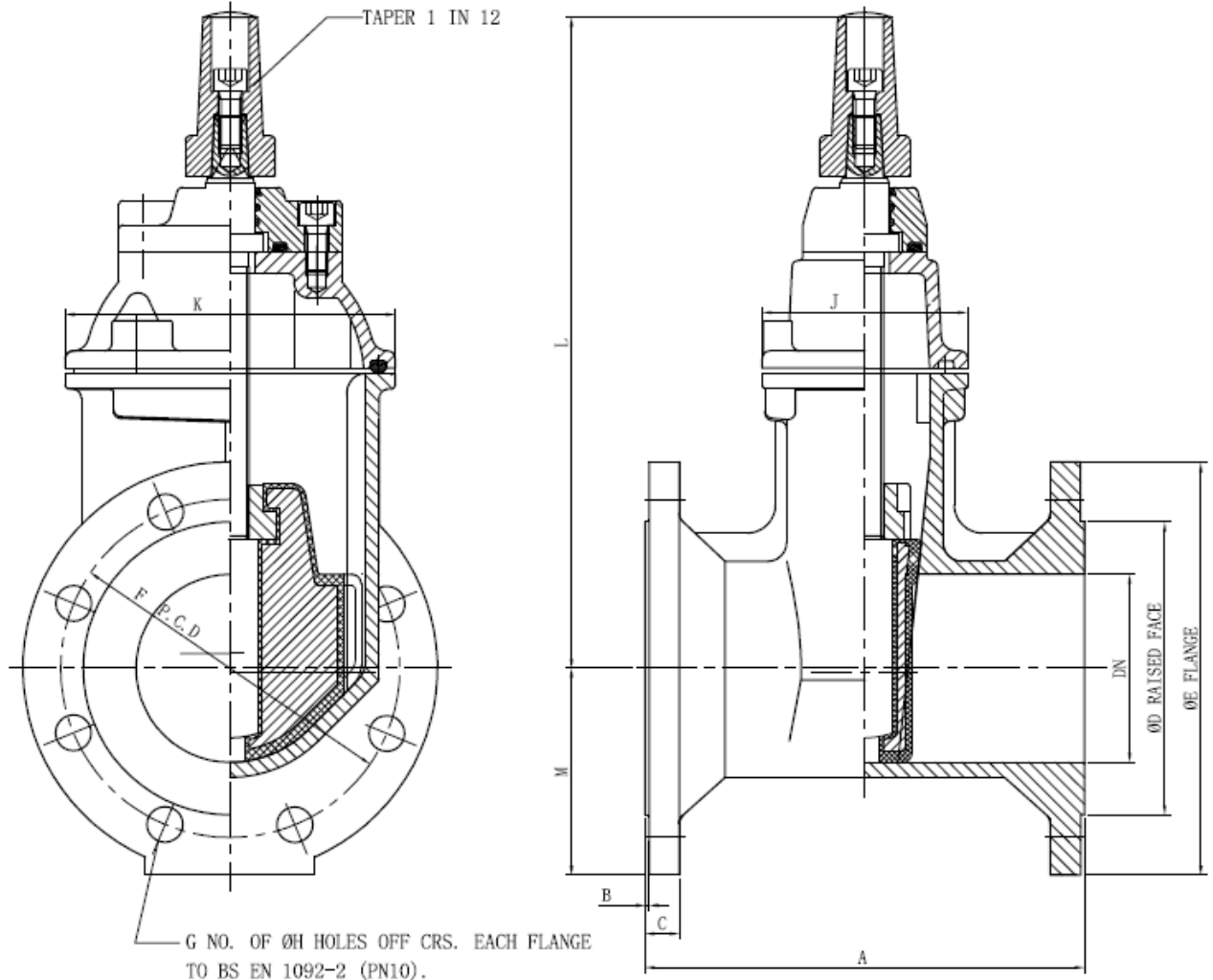


<b>Description</b>	<p>Duvalco resilient seated gate valves are non-rising spindle design with the ductile iron gate fully encapsulated in EPDM rubber. The smooth invert eliminates dirt pockets that can prevent proper closing of the valve and accurate rubber moulding ensures low closing torques and effective seal. The entire valve is coated with fusion bonded epoxy for a high level of corrosion protection, with all materials certified for potable water use.</p>																									
<b>Size Range</b>	DN50 to DN600																									
<b>Pressure Rating</b>	All valves are rated at PN16 for 16 bar continuous working pressure <i>(Other pressures also available upon request)</i>																									
<b>Design Standard</b>	BS 5163																									
<b>Materials of Construction</b>	<table border="1"> <thead> <tr> <th>Description</th> <th>Material</th> <th>Grade</th> </tr> </thead> <tbody> <tr> <td>Body, bonnet, cap top</td> <td>Ductile iron</td> <td>BS EN 1563 Grade EN-GJS-500-7</td> </tr> <tr> <td>Wedge</td> <td>Ductile iron</td> <td>BS EN 1563 Grade EN-GJS-500-7</td> </tr> <tr> <td>Shaft</td> <td>Stainless steel</td> <td>BS EN 10088-3 1.4021</td> </tr> <tr> <td>Stem nut</td> <td>Gunmetal</td> <td>BS 1400 LG2</td> </tr> <tr> <td>Wedge encapsulation</td> <td>EPDM</td> <td>BS EN 681-1 Type WA</td> </tr> <tr> <td>Body gaskets</td> <td>NBR</td> <td>BS EN 681-1 Type WA</td> </tr> <tr> <td>Fasteners</td> <td>Steel</td> <td>Zinc plated steel Grade 8.8</td> </tr> </tbody> </table> <p><i>* Other types of materials are also available upon request</i></p>		Description	Material	Grade	Body, bonnet, cap top	Ductile iron	BS EN 1563 Grade EN-GJS-500-7	Wedge	Ductile iron	BS EN 1563 Grade EN-GJS-500-7	Shaft	Stainless steel	BS EN 10088-3 1.4021	Stem nut	Gunmetal	BS 1400 LG2	Wedge encapsulation	EPDM	BS EN 681-1 Type WA	Body gaskets	NBR	BS EN 681-1 Type WA	Fasteners	Steel	Zinc plated steel Grade 8.8
Description	Material	Grade																								
Body, bonnet, cap top	Ductile iron	BS EN 1563 Grade EN-GJS-500-7																								
Wedge	Ductile iron	BS EN 1563 Grade EN-GJS-500-7																								
Shaft	Stainless steel	BS EN 10088-3 1.4021																								
Stem nut	Gunmetal	BS 1400 LG2																								
Wedge encapsulation	EPDM	BS EN 681-1 Type WA																								
Body gaskets	NBR	BS EN 681-1 Type WA																								
Fasteners	Steel	Zinc plated steel Grade 8.8																								
<b>Testing</b>	<p><b>PN16 pressure rating valves are tested to the following pressures:-</b></p> <table border="1"> <thead> <tr> <th>Description</th> <th>Nominal Pressure</th> <th>Hydraulic Test Pressure</th> </tr> </thead> <tbody> <tr> <td>Body</td> <td>16 bar</td> <td>24 bar</td> </tr> <tr> <td>Seat</td> <td>16 bar</td> <td>17.6 bar</td> </tr> </tbody> </table>		Description	Nominal Pressure	Hydraulic Test Pressure	Body	16 bar	24 bar	Seat	16 bar	17.6 bar															
Description	Nominal Pressure	Hydraulic Test Pressure																								
Body	16 bar	24 bar																								
Seat	16 bar	17.6 bar																								
<b>Closing</b>	Valves close clockwise as standard.																									
<b>Corrosion Protection</b>	<ol style="list-style-type: none"> <li>1) All internal and external cast surfaces are coated with fusion bonded powder epoxy.</li> <li>2) Epoxy coating is WRAS listed for potable water applications and meets the requirements of BS 6920 for water quality testing.</li> <li>3) Coating colour - blue to RAL 5005</li> </ol>																									
<b>Marking</b>	<p><b>All valves are marked with the following information:-</b></p> <ul style="list-style-type: none"> <li>- Size</li> <li>- PN rating</li> <li>- 'Duvalco'</li> <li>- Material - SG GGG50</li> <li>- BS 5163</li> <li>- Year of manufacture</li> </ul>																									

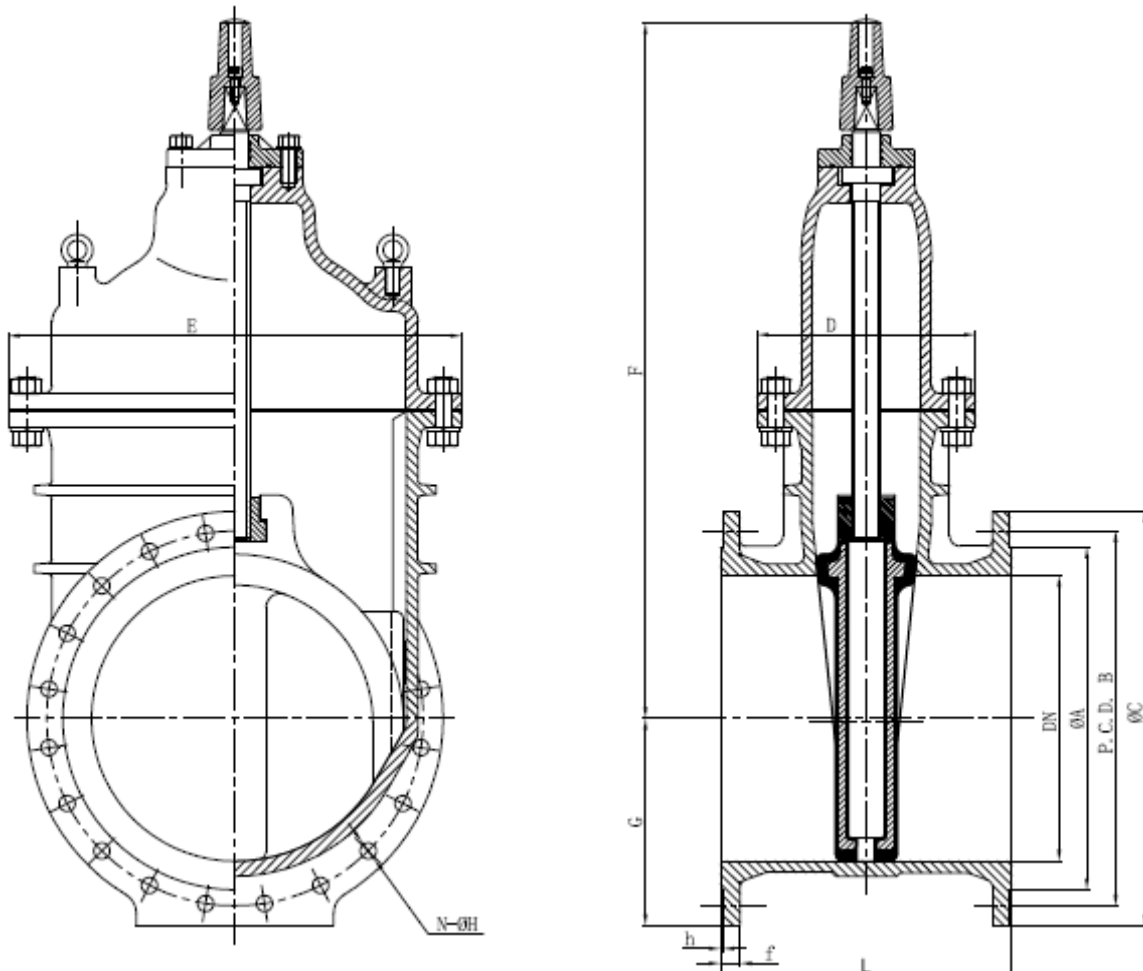
**Dimensional Detail**



DN	A	B	C	D	E	F	G No. - ØH	J	K	L	M
50	178	3	19	99	165	125	4-Ø19	91	109	274	82.5
80	203	3	19	132	200	160	8-Ø19	112	160	315	100
100	229	3	19	156	220	180	8-Ø19	109	175	350	110
150	267	3	19	211	285	240	8-Ø23	141	266	441	142.5
200	292	3	20	266	340	295	8-Ø23	175	339	542	170
250	330	3	22	319	400	350	12-Ø23	197	407	636	200
300	356	4	24.5	370	455	400	12-Ø23	220	468	709	227.5

## DATA SHEET

### SF RESILIENT SEATED GATE VALVE



DN	ØA	B	ØC	D	E	F	G	N-ØH	L	f	h
350	429	460	520	270	568	897	260	16-Ø23	381	22.5	4
400	480	515	580	304	632	975	290	16-Ø28	406	24	4
450	530	565	640	322	692	1061	320	20-Ø28	432	26	4
500	582	620	715	341	746	1152	357.5	20-Ø28	457	27.5	4
600	682	725	840	395	890	1318	420	20-Ø31	508	31	5

**Face-to-face length**

SF gate valves are supplied as standard with overall length between flanges to EN 558 / ISO 5752 Basic Series 3. (Face to face according to DIN F4 and DIN F5 are available)

**Dimensions for PN106 flanged valves**

Nominal size  DN	Mating dimensions				
	Outside diameter  <i>D</i>	Diameter of bolt circle  <i>K</i>	Diameter of bolt hole  <i>L</i>	Bolting	
				Number	Size
	mm	mm	mm		
10	90	60	14	4	M12
15	95	65	14	4	M12
20	105	75	14	4	M12
25	115	85	14	4	M12
32	140	100	18	4	M16
40	150	110	18	4	M16
50	165	125	18	4	M16
65	185	145	18	4†	M16
80	200	160	18	8	M16
100	220	180	18	8	M16
125	250	210	18	8	M16
150	285	240	22	8	M20
200	340	295	22	8	M20
250	395	350	22	12	M20
300	445	400	22	12	M20
350	505	460	22	16	M20
400	565	515	26	16	M24
450	615	565	26	20	M24
500	670	620	26	20	M24
600	780	725	30	20	M27

Flanges for pipe connection are compatible with flanges to BS 4504

**Packing**

All valves will be despatched properly packed, with all items separated to avoid damage to coating, castings, facings, flange faces, etc.