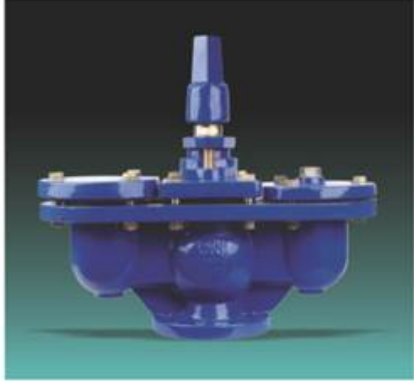
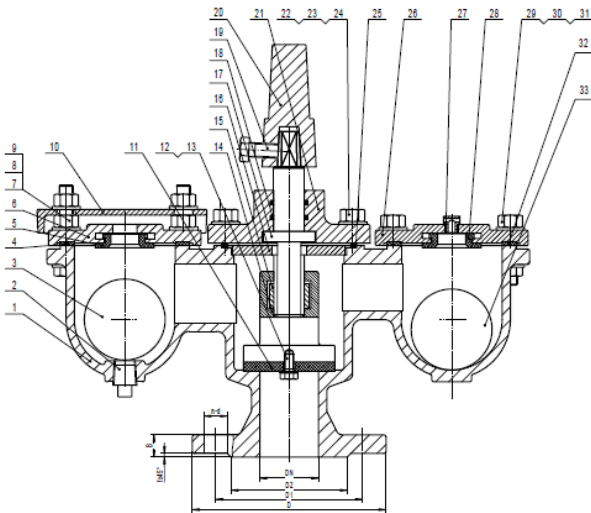


**DATA SHEET**  
**AIR VALVE – DOUBLE ORIFICE WITH ISOLATION**

<b>Description</b>	<p>Duvalco air valves with isolation for water applications are available - with combined double orifice options. Double orifice valves are fitted with an integral isolating valve. In all cases the float material is non-corrodible plastic and the general construction is of ductile iron. Pressure rating is PN16 and products are suitable for 50°C working temperature.</p>		<p><b>Air Valves</b></p> 			
	<b>Size Range</b>	<table border="1"> <tr> <td>Small orifice</td> <td>1" BSPT</td> </tr> <tr> <td>Large orifice</td> <td>DN40 to DN250</td> </tr> </table>	Small orifice	1" BSPT	Large orifice	DN40 to DN250
Small orifice	1" BSPT					
Large orifice	DN40 to DN250					
<b>Pressure Rating</b>	All valves are rated at PN16 for 16 bar continuous working pressure.					
<b>Design Standard</b>	-					
<b>Materials of Construction</b>	<b>Description</b>	<b>Material</b>	<b>Grade</b>			
	Body	Ductile iron	BS EN 1563 Grade EN-GJS-500-7* * =			
	Cover plate	Ductile iron	BS EN 1563 Grade EN-GJS-500-7* GGG50			
	Floats	Plastic				
	Body gaskets	EPDM	BS EN 681-1 Type WA			
	Fasteners	Stainless steel	316L			
<i>* Other types of materials are also available upon request</i>						
<b>Connection to Main</b>	Single small orifice	1" BSPT with isolating cock				
	Single large orifice	PN16 flange, cast integral with valve body				
<b>Testing</b>	<b>PN16 pressure rating valves are tested to the following pressures:-</b>					
	<b>Description</b>	<b>Nominal Pressure</b>	<b>Maximum Allowable Pressure</b>			
	Body	16 bar	24 bar			
	Seat	16 bar	17.6 bar			
<b>Corrosion Protection</b>	1) All body components are painted with high quality 2-pack epoxy paint system having a minimum of 200µm DFT.					
	2) Coating colour – RAL 5005					
	3) For potable water applications, paints used have a WRAS or similar water quality approval.					

**DATA SHEET**  
**AIR VALVE – DOUBLE ORIFICE WITH ISOLATION**

**Dimensional Details**



size	D	D1	D2	B	f	n-d
40	150	110	84	19	3	4-19
50	165	125	99	19	3	4-19
65	185	145	118	19	3	4-19
80	200	160	132	19	3	8-19
100	220	180	156	19	3	8-19
125	250	210	184	19	3	8-19
150	285	240	211	19	3	8-23
200	340	295	266	20	3	12-23
250	405	355	319	22	3	12-28
300	460	410	370	24.5	4	12-28

**Flange Drilling**

Flanges are dimensioned according to EN 1092-2 for ISO metric flange sizes.

*\*Note*

*Please refer to General Arrangement drawing for full details of valve*

**Marking**

**All valves are marked with the following:-**

- Size
- PN rating
- 'Duvalco'
- Material – GGG50
- Year of manufacture

**Packing**

All valves will be despatched properly packed, with all items separated to avoid damage to coating, castings, facings, flange faces, etc.