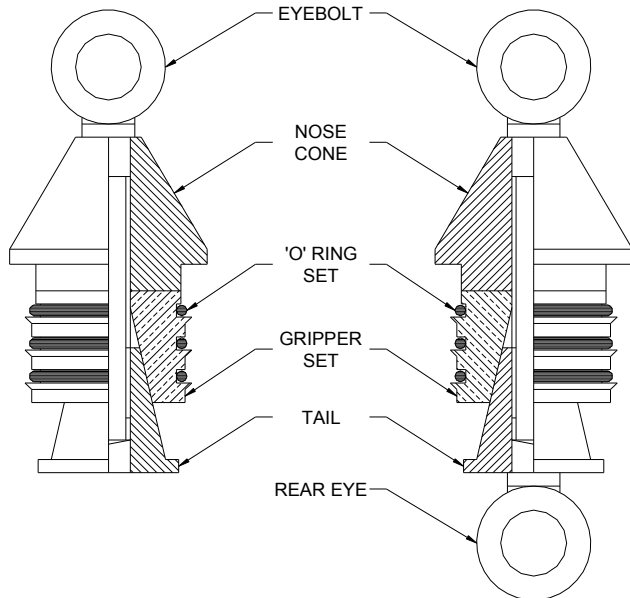


STANDARD TOWING HEAD



The Pipe Equipment Standard Towing Head is one of a range of Towing Heads which the company manufactures to provide a quick, simple and reliable method of attaching a winch wire, or other pulling device, to a plastic pipe. Towing Heads avoid the need to cut into the pipe or the fusing of additional fittings in order to gain a pulling fixture. Removal is also simple and quickly carried out.

A number of different types of Towing Heads (also known as Pulling Heads) are manufactured to suit differing applications. They are all reusable and based on the "Vick" expanding internal gripper design which works on the principle that the harder the pull the tighter the grip. This design was first produced in 1985 and has since been successfully used throughout the world.

All models are manufactured to a high specification using good quality steels and aluminium. They are zinc plated for corrosion protection.

The Standard Towing Head, is best suited to general pipe pulling operations such as slip lining and pipe uncoiling, as they do not fully seal the pipe against the ingress of fluids and fine particles.

Each size of Standard Towing Head is designed to work over a range of wall thicknesses for a given pipe size, usually SDR 11 to 17.6, but other ranges are available.

They are manufactured to suit all types and makes of plastic pipe in the size range 16mm (½") to 630mm (24"), with specific sizes being manufactured to suit pipes in all countries. Extensive stocks are maintained of all common sizes.

They are available in either the Standard or Rear Eye form (for the installation of draw ropes etc.) - in which case an eye is welded onto the rear of the Towing Head.

The Standard Towing Head has undergone a comprehensive series of tensile tests to ensure that in general the pipe will fail before the Towing Head.

MODE OF OPERATION

The Towing Head is simply fitted onto the end of a pipe and secured by rotating the pulling eye until tight. No special tools are required.

OTHER MAIN TYPES

- Standard
- Standard with rear eye
- Pressure tight
- Mud Tight
- PE Coiler

MAJOR FEATURES

- Simple and quick to fit / remove
- Reliable
- Works over a range of SDRs
- Fully reusable
- Extensive size range
- Robust construction
- Quality manufactured

The company follow a policy of continuous product development and as such reserves the right to make alterations to equipment and techniques without prior notice.

PIPE EQUIPMENT SPECIALISTS LTD

66 DUKESWAY, TEESIDE INDUSTRIAL ESTATE, THORNABY, STOCKTON-ON-TEES, TS17 9LT, ENGLAND

TEL: +44 (0) 1642 769789 FAX: +44 (0) 1642 769456

www.pipe-equipment.co.uk Email: info@pipe-equipment.co.uk



Certificate Number: 1253
WP/TIS/STH/201