

# meter connection points

Water meter connection points for single and multi-dwelling buildings



# About Us

Here at PLASSON, we continually strive to develop and expand our range of fittings reflecting our ongoing strategy to deliver innovative solutions in the market.

PLASSON has one of the widest ranges of pipe fittings in the world, with sizes ranging from 16mm to 1200mm, pressure ratings of 0 bar to 25 bar, accepting nearly all existing pipe materials, including polyethylene, lead, copper, and galvanised in metric and imperial. PLASSON has a 50 year in-the-ground track record for its products and we pride ourselves not only on the quality of our fittings, but also on our high standard of service, delivery and aftersales support.

Uniquely placed in the UK market to supply a full range of fittings and accessories for water and gas pipe, our dedicated sales and technical team will work with you to provide practical solutions for joining supply pipes.

# You can trust Plasson

As holders of the relevant BS EN standards together with WRAS certification, PLASSON is the first choice for the majority of UK water utility companies, their appointed contractors and logistics providers.



# About mcp

Tackling the complexities of water meter installation. PLASSON has the solution.

Water scarcity is becoming a real threat. The Environmental Agency has warned that England will not have enough water within 25 years with climate change together with population growth being the main cause.

(NERC website, 'UK Droughts & Water Scarcity')



For this reason, Plasson takes the distribution of water very seriously, manufacturing products that are designed to last and create a leak-proof connection when fitted correctly. Water companies lose vast amounts of water through leakage. There are many reasons for this including badly-fitted fittings. Here at Plasson we pride ourselves not only on the quality of our fittings, but also their hassle-free, simple and quick installation.

In 1990 it became compulsory for all new homes to be fitted with a water meter. To date about 50% of UK households have them installed but this number is constantly increasing due to compulsory metering programs being rolled out by the various water providers.



As the UK's market leader and supplier to many of the water utility companies for service fittings for water supply pipes, PLASSON has taken up the challenge of developing a product which would meet the required bylaws and Water Supply Regulations while providing both developers and installation engineers with total confidence that the installation meets and exceeds the current requirements.



This project has led to the new PLASSON mcp range of products which is continually developing.

The PLASSON mcp range provides solutions to all these challenges, ensuring an installation that complies with the Water Supply (Water Fittings) Regulations using WRAS-approved products, and guaranteeing a compliant and resilient installation.

# Single Domestic Property Connections

The 3517/8 mcp c/w integral drain off.

Siting a meter in a house, (replacing the traditional boundary box), can present challenges including the need to incorporate a WRAS-approved stop valve and a drain off, into the housing which accommodates the standard UK class D concentric meter without requiring an adaptor. In addition, the installation needs a fitting that can adapt to the incoming supply pipe; as well as standard PE, barrier pipes now being a far more common occurrence. At the outlet end, it is important to ensure the connection is suitable for not only copper, but also the different plastic plumbing pipes commonly used (PEX & PB).



The 3517/8 mcp provides a straightforward solution when the meter is being sited inside a domestic property (replacing the traditional boundary box/underground position). For a single dwelling, a standard meter carrier requires a drain port to be incorporated into the assembly. Our 3517/3518 range provides a simple system solution incorporating a stop tap and drain off point.

*Please check the metering policy of your local water company.*



## Key features

- Metric PE or Cu/PB/PEX inlet pipe connection.
- PE/Cu/PB/PEX outlet pipe connection.
- 'O' ring sealed joints.
- Built in drain valve: saves on space.
- Adaptors available for barrier pipe connection.
- Tough all polypropylene construction.
- Accepts all standard 15mm concentric meters.
- Supplied with full flow blanking plug.



# Multi Property Connections

## 3535/6 mcp multi kit A/B

In multi occupancy applications, such as apartments, flats and offices, the simplest option is to split the incoming supply into multiple feeds avoiding dead legs. If left unused, these have the potential to create legionella outbreaks. Alternatively the spare outlets can be used for fire suppression systems.

In addition, where the mains supply is split, after isolation and meter connection point, a double check valve is required on each individual supply to prevent cross contamination of water supplies by preventing backflow, back siphonage and interconnections of water from other sources.



Connection from the manifold for each individual supply requires several components to be included to meet water company requirements and regulations. Water meter mounts are supplied with a full flow cap to enable commissioning, prior to fitting the water meter. The stop valve and concentric water meter housing are supplied in kit form including all the necessary components to meet current regulations, and are fully WRAS compliant.

### Key features

- Allow 25mm connection to mount multiport manifold. Fitting can be adapted to other pipe types.
- Stop Valve: To turn on/off the flow of water.
- Water Meter Mount: Supplied with full flow cap.
- Double Check Valve: To prevent backflow, protecting the water supply from contamination.
- Drain Off Cock: Used to release excess water in the system.
- 25mm or 22mm outlets.
- Supplied in kit form and includes necessary components to meet current regulations.



# Multiport Manifolds

3523/4 manifold 2" end feed/centre feed, 3534 dead leg kit.

Manifolds allow the connection of the incoming water main and separation into individual supply pipes for isolation and connection of water mains. Plasson manifolds are available in centre feed with four or six ports and end feed with three, four and six port arrangements. End feed manifolds can be joined together to allow for a greater number of ports to accommodate the largest of installations.

## End feed manifolds

- Ideal for multi-occupancy dwellings
- Water service pipe is connected to the 2" BSP thread and channelled to each outlet.
- Available in 3, 4 and 6 port options.
- 2" BSP threaded connection at each end allows manifolds to be connected together.
- Dead leg kit required to blank off end, to remove possibility of stagnant water.



## Dead leg kit

Where an end feed manifold is used without 'continuation' a dead leg kit is required to blank the open end.



## Centre feed manifolds

- Ideal for multi-occupancy dwellings.
- Water service pipe is connected to the 2" BSP thread and channelled to each outlet.
- Available in 4 and 6 port options.
- 2" BSP threaded connection.



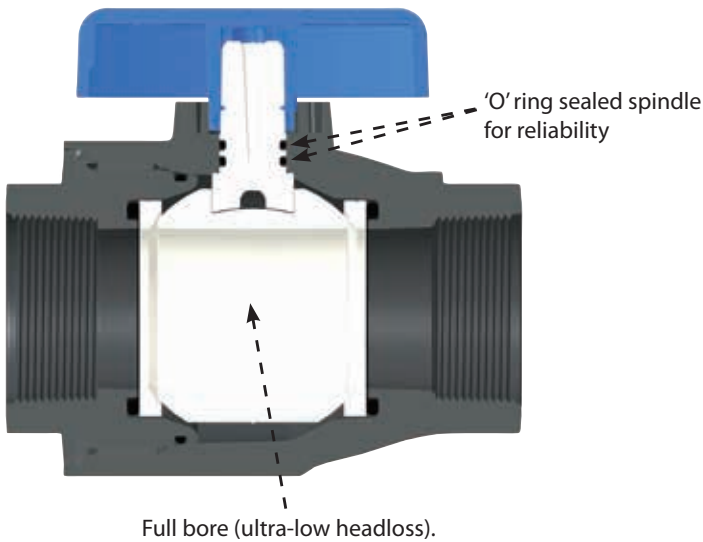
# Mains Stop Valve

## 3703 mains stop valve

It is important to isolate the incoming supply with a WRAS-approved valve, to allow for maintenance and repair of a building's water supply system if required. Plasson's 3703 quarter turn mains stop valve can be installed anywhere along the incoming main, or directly screwed to the multiport manifold. The 3703 valve is also available with a built-in drain / test port, allowing the full manifold assembly to be isolated and drained if required.

### About the 3703/benefits

- ¼ turn valve for water isolation.
- WRAS approved for the full range.
- BS8588:2017 approved, suitable for use in contaminated ground, at all sizes.
- Manufactured from glass reinforced polyamide.
- Full bore (ultra-low headloss).
- 'O' ring sealed spindle for reliability.
- Non-metallic/corrosion resistant.
- Cost effective alternative to metal valves.
- Options for drain port (above ground only).



### BSP adaptors

A female adaptor can connect directly to the manifold or a male adaptor to the 3703 valve allowing connection to 63mm mdpe. They can also be adapted to suit other pipe types.



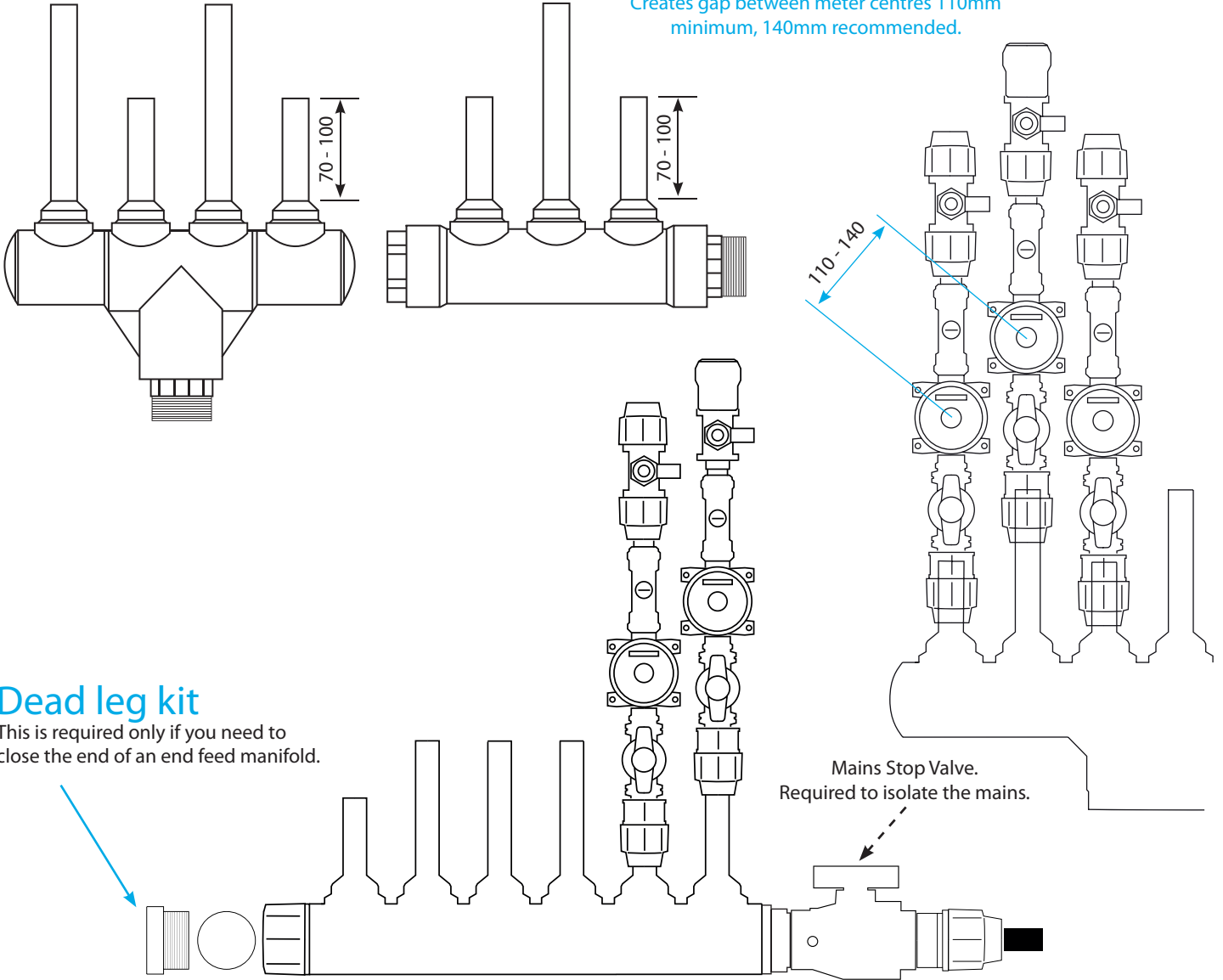
# Building a multiport manifold

Complete with mcp kits.

## Centre feed or end feed manifold

To allow stagger between meters, alternate tails require cutting back to minimum 70mm, recommended 100mm length.

Creates gap between meter centres 110mm minimum, 140mm recommended.

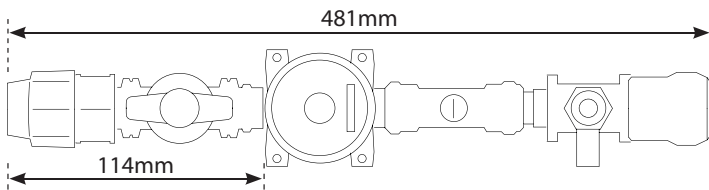


## Dead leg kit

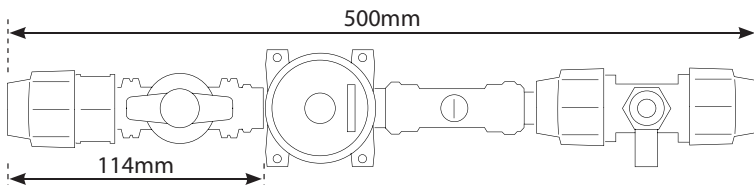
This is required only if you need to close the end of an end feed manifold.

## mcp dimensions

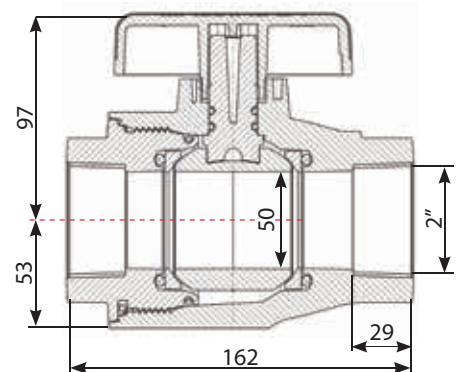
Kit A. Connection to 22mm Cu/PB/PEX



Kit B. Connection to 25mm MDPE



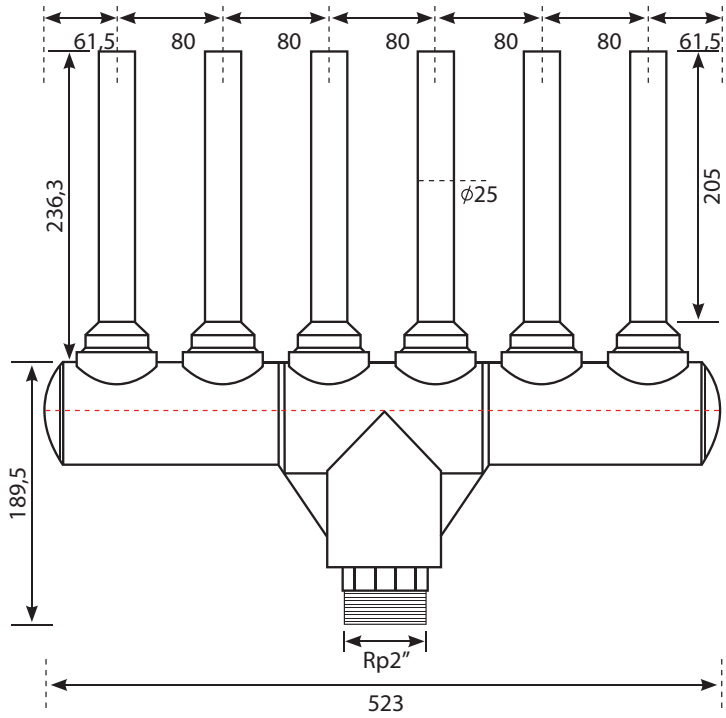
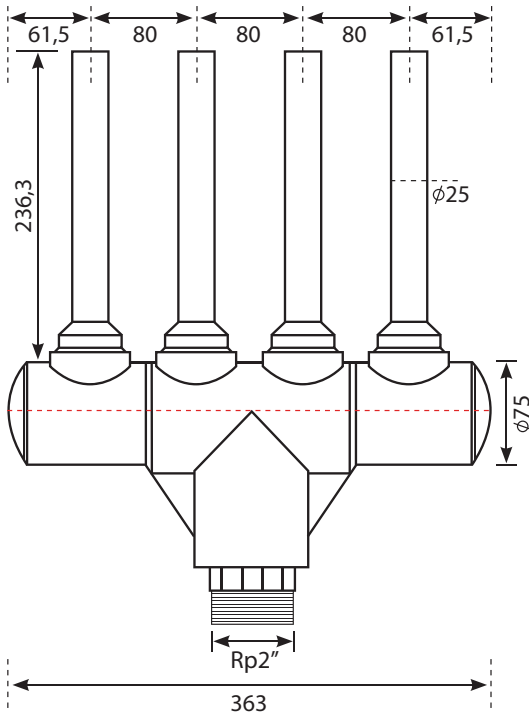
## 2" stop valve dimensions



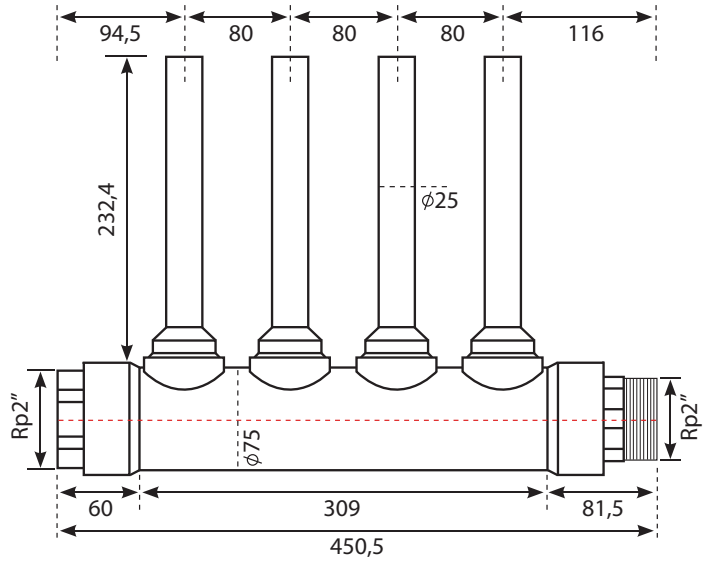
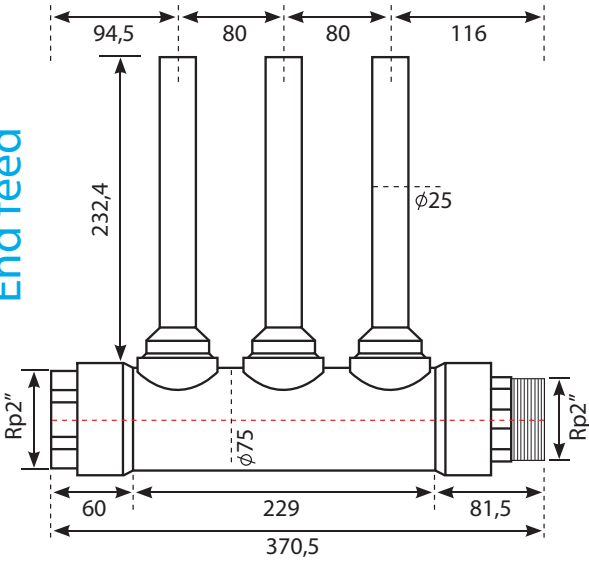


# Manifold dimensions

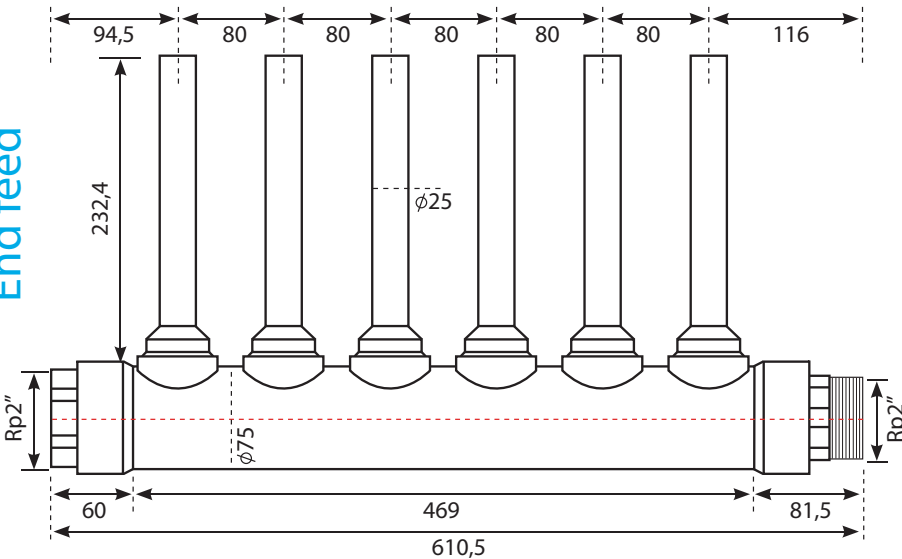
Centre feed



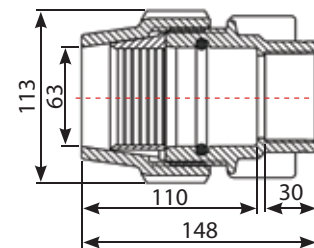
End feed



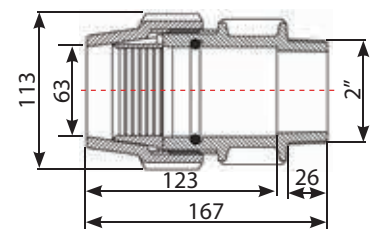
End feed



## 63mm x 2" adaptors



63mm x 2" FI



63mm x 2" MI

### 3517 mcp kit c/w integral drain off

Code	d
3517015	25 x 15
3517022	25 x 22
3518022	22 x 22



### 3535/6 mcp multi kit A/B

A - Connection to 22mm Cu/PB/PEX

B - Connection to 25mm MDPE

Code	d (mm)
3535001	25 x 22
3536001	25 x 25



### 3524 manifold 2" centre feed

Code	d
3524004	4 Port x 25mm
3524006	6 Port x 25mm



### 3523 manifold 2" end feed

Code	d
3523003	3 Port x 25mm
3523004	4 Port x 25mm
3523006	6 Port x 25mm



### 3534 dead leg kit

for use with end connection manifold

Code	d
3534000	dead leg plug kit for end feed 2"



## 3703 Mains Stop Valve

above & below ground. FI x FI

Code	d	dn
370300020	2"	50
37030F020	2" c/w drain	50



## 7020 Male Adaptor

metric x MI BSP

Code	d
7020H60	63 x 2"



## 7030 Female Adaptor

Metric x FI BSP

Code	d
7030H60	63 x 2"





[www.plasson.co.uk](http://www.plasson.co.uk)