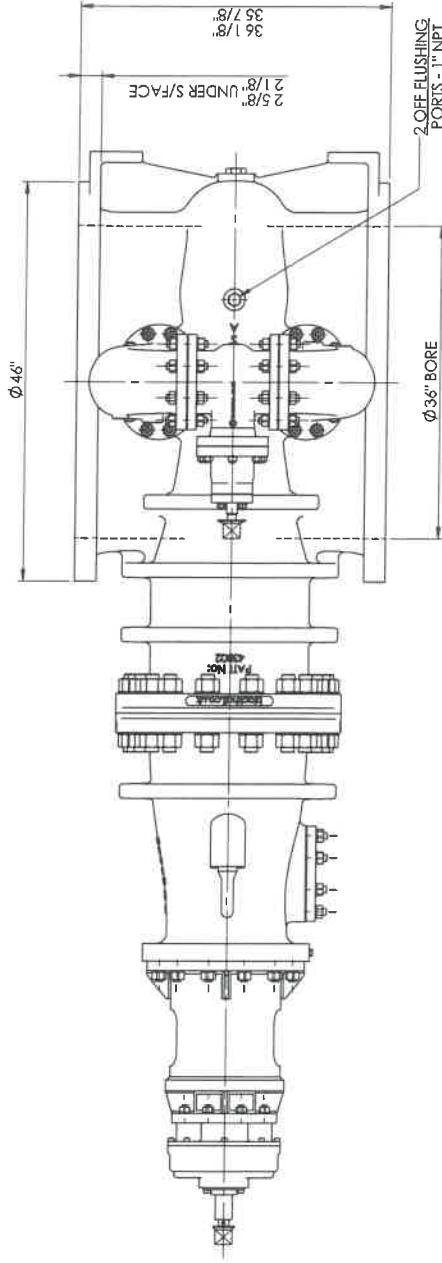
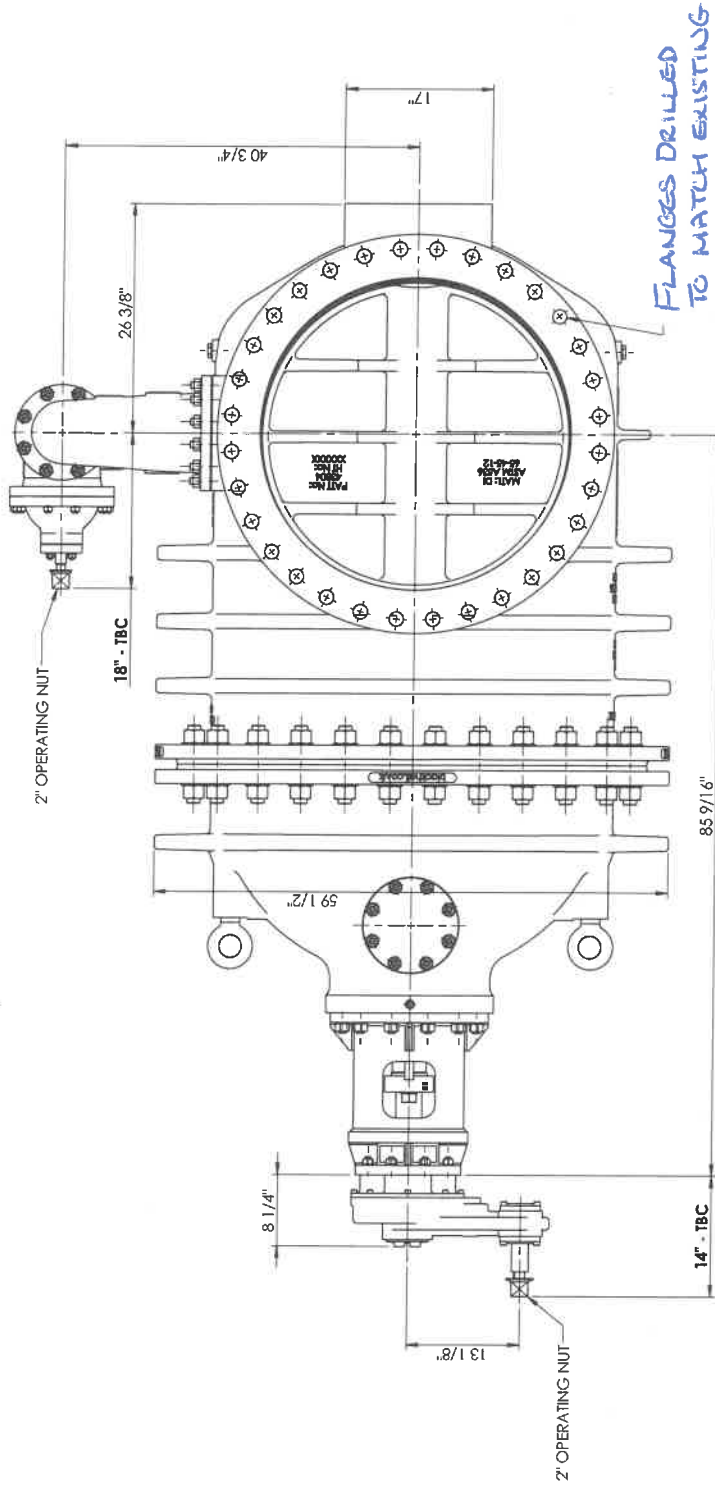
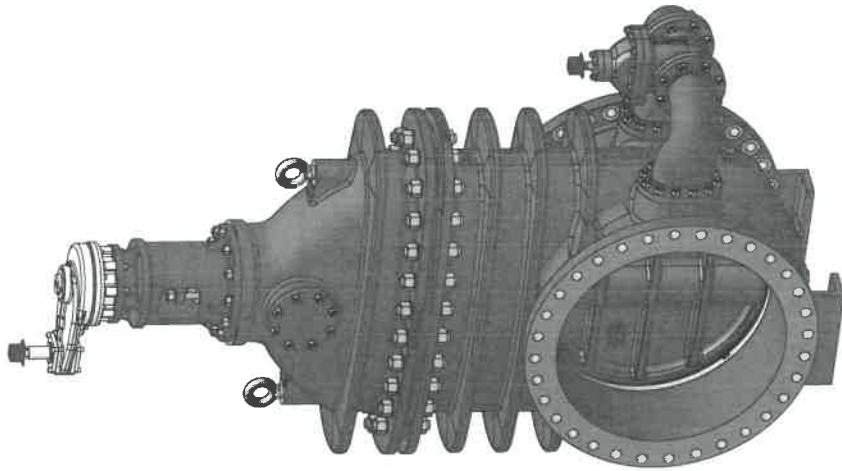


3D MODEL No.	1	2	3	4	5	6	7	8
REF	COMPONENT	NAME	MATERIAL	SPECIFICATION	PART No.	QTY		
1	BODY	DUCTILE IRON	ASTM A536 GRD. 65-45-12	SS16781	1			
2	BODY CHANNEL	STAINLESS STEEL	AUSTENITIC 300 SERIES	SS16233	2			
3	BODY SEAT RING	NI. AL. BRONZE	ASTM B271 C95800	SS16238	2			
4	SEAT SEAL	EPDM RUBBER		ORC1637	2			
5	WEDGE	DUCTILE IRON	ASTM A536 GRD. 65-45-12	SS16222	2			
6	WEDGE SHOE	NI. AL. BRONZE	ASTM B150 C63200	SS16234	1			
7	COUNTERLINK SCREW	STAINLESS STEEL	ASTM F593 GRD. 304	SS16275 II 1	16			
8	WEDGE SEAT RING	NI. AL. BRONZE	ASTM B271 C95800	SS16232	2			
9	FACE PIN	NI. AL. BRONZE	ASTM B150 C63200	SS16156 II 1	48			
10	STEM NUT	STAINLESS STEEL	ASTM B148 C95800	SS16224	1			
11	STEM	STAINLESS STEEL	ASTM A276 GRD. 431	SS16227	1			
12	BODY SEAL	EPDM RUBBER		ORC1625	1			
13	BONNET	DUCTILE IRON	ASTM A536 GRD. 65-45-12	SS16221	1			
14	BONNET SEAL	EPDM RUBBER		ORC1549	1			
15	STUD (Ø1 1/2"-ØUN x 9")	STAINLESS STEEL	ASTM A193 GRD. B8 CL2	SS16267 II 1	24			
16	WASHER (Ø1 1/2")	STAINLESS STEEL	GRADE 304	WHR0074	48			
17	NUT (Ø1 1/2"-ØUN)	STAINLESS STEEL	ASTM A194 GRD. B8	NIJ01196	48			
18	STEM SLEEVE	NI. AL. BRONZE	ASTM B150 C63200	SS16229	1			
19	STEM SLEEVE SEAL	EPDM RUBBER		ORC1636	1			
20	STUFFING BOX	DUCTILE IRON	ASTM A536 GRD. 65-45-12	SS16225	1			
21	STUD (Ø3/4"-10UNC x 3.5")	STAINLESS STEEL	ASTM A193 GRD. B8 CL2	SS16267 II 4	8			
22	WASHER (Ø3/4")	STAINLESS STEEL	GRADE 304	WHR0075	72			
23	NUT (3/4"-10UNC)	STAINLESS STEEL	ASTM A194 GRD. B8	NIJ01197	72			
24	GLAND PACKING	BRAIDED PIPE		SS16266 II 14	5			
25	GLAND FOLLOWER	DUCTILE IRON	ASTM B150 C63200	SS16230	1			
26	GLAND FLANGE	DUCTILE IRON	ASTM A536 GRD. 65-45-12	SS16226	1			
27	STUD (Ø1"-ØUNC x 6.25")	STAINLESS STEEL	ASTM A193 GRD. B8 CL2	SS16264 II 1	2			
28	WASHER (Ø1")	STAINLESS STEEL	GRADE 304	WHR0076	2			
29	NUT (1"-ØUNC)	STAINLESS STEEL	ASTM A194 GRD. B8	NIJ01198	2			
30	DISTANCE PIECE	CARBON STEEL	ASTM A572 GRD. 50	SS16231	1			
31	STUD (Ø7/8"-9UNC x 3.25")	STAINLESS STEEL	ASTM A193 GRD. B8 CL2	SS16262 II 2	12			
32	WASHER (Ø7/8")	STAINLESS STEEL	GRADE 304	WHR0077	12			
33	NUT (7/8"-9UNC)	STAINLESS STEEL	ASTM A194 GRD. B8	NIJ01199	12			
34	DRAIN PLUG (1 1/2" NPT)	STAINLESS STEEL	GRADE 316	PFQ0236	1			
35	KEY	KEY STEEL		KEY0016	1			
36	NUT (Ø1 3/4"-ØUN)	CARBON STEEL	ASTM A194 GRD. 2H	SS17042 II 1	1			
37	WASHER	STAINLESS STEEL	ASTM A276 GRD. 431	SS16953 II 1	1			
38	SOCKET SET SCREW	STAINLESS STEEL	GRADE 304	SSS0060	1			
39	GEARBOX DRIVE SLEEVE	ALLOY STEEL	AISI/SAE 4340	SS16269	1			
40	GEARBOX	ROTOR - IS SERIES (SPUR) C/W 2" OP. NUT		SS16268	1			
41	STUD (Ø5/8"-1 UNC x 2.75")	STAINLESS STEEL	ASTM A193 GRD. B8 CL2	SS16260 II 5	8			
42	WASHER (Ø5/8")	STAINLESS STEEL	GRADE 304	WHR0078	8			
43	NUT (Ø5/8"-1 UNC)	STAINLESS STEEL	ASTM A194 GRD. B8	NIJ0201	8			
44	VENT PLUG (3/8" NPT)	STAINLESS STEEL	GRADE 316	PFQ0235	1			
45	GASKET	KLINGERSIL C-440		SS16258 II 10	3			
46	INSPECTION COVER	CARBON STEEL	ASTM A105	FLG0019	1			
47	STUD (Ø3/4"-10UNC x 3.25")	STAINLESS STEEL	ASTM A193 GRD. B8 CL2	SS16607 II 5	32			
48	FLUSHING PORT PLUG (1" NPT)	STAINLESS STEEL	GRADE 316	PFQ0096	2			
49	BYPASS BEND	DUCTILE IRON	ASTM A536 GRD. 65-45-12	SS16223	2			
50	BYPASS BEND GASKET	KLINGERSIL C-440		SS16849	2			
51	EYEBOLT	CARBON STEEL	ASTM A489	EBR0015	2			
52	BYPASS VALVE	STAINLESS STEEL	6" AWWA C500	VALD580	1			
53	STUD (Ø3/4"-10UNC x 4.5")	STAINLESS STEEL	ASTM A193 GRD. B8 CL2	SS17081 II 1	16			

NOTES - GENERAL
 1. VALVE DESIGNED IN ACCORDANCE WITH AWWA C500
 2. MAXIMUM RATED PRESSURE : 250 PSI
 WORKING PRESSURE: 80 PSI
 3. SEE SHEET 2 OF 2 FOR DIMENSIONS & DETAILED NOTES

VALVE CODE	GAT109001SGWM000	APPROX. WEIGHT:	9,530 lb	DO NOT SCALE DRAWING
ALL DIMENSIONS ARE IN INCHES UNLESS OTHERWISE STATED	DRN	GN WHITE	02/03/18	
	CHK'D	MJ GREENWOOD	09/03/18	
D	36" WEDGE GATE VALVE - 250 PSI			
C	AWWA C500 C/W 6" BYPASS			
B	FLANGED AWWA C110/A21.10			
A	CLOCKWISE TO CLOSE			
REV	DATE	BY	CHK	DESCRIPTION

Blackhall
 VALVE SPECIALISTS



NOTES - GENERAL

1. VALVE DESIGNED IN ACCORDANCE WITH AWWA C500
2. END FLANGES IN ACCORDANCE WITH AWWA C110/A21.10
3. FACE TO FACE DIMENSION - MANUFACTURERS STANDARD
4. MAX. RATED PRESSURE : 250 PSI
WORKING PRESSURE: 80 PSI
5. VALVE SUPPLIED WITH ROTORK IS SERIES SPUR GEAR BOX SIZED FOR A MAXIMUM WORKING PRESSURE OF 80 PSI GEARBOX RATIO (8:1) APPROX. NO. OF TURNS 601 TO OPEN/CLOSE OPERATION: CLOCKWISE TO CLOSE.
6. VALVE PRESSURE TESTING IN ACCORDANCE WITH CUSTOMER SPECIFICATION, 15108 PART 2 AS FOLLOWS:
HYDROSTATIC SHELL TEST: 300 PSI - 10 MINUTES
HYDROSTATIC SEAT TEST (BOTH ENDS): 250 PSI - 2 MINUTES
SEAT LEAKAGE RATE TO AWWA C500: 34 cc PER HOUR
7. FUNCTION TEST, TO ENSURE PROPER OPERATION OF THE GEARBOX, THE VALVE SHALL BE OPENED A MINUT DIFFERENTIAL WORKING PRESSURE OF 80 PSI. THIS SHALL BE FOLLOWED BY A HYDROSTATIC SEAT TEST OF 80 PSI
9. INTERNAL AND EXTERNAL COATING 6-8 MILS DFT.
10. APPROX. WEIGHT OF VALVE ASSEMBLY: 9,530 LB

DO NOT SCALE DRAWING		DRN	SEE SHEET 1	ALL DIMENSIONS ARE IN INCHES UNLESS OTHERWISE STATED	REV	DATE	BY	CHK	DESCRIPTION
CHKD	SEE SHEET 1	36" WEDGE GATE VALVE - 250 PSI AWWA C500 C/W 6" BYPASS FLANGED AWWA C110/A21.10 CLOCKWISE TO CLOSE							
<p style="text-align: right;">Blackhall VALVE GROUP</p>									
<p>SHEET 2 OF 2 DRAWING NO</p>									